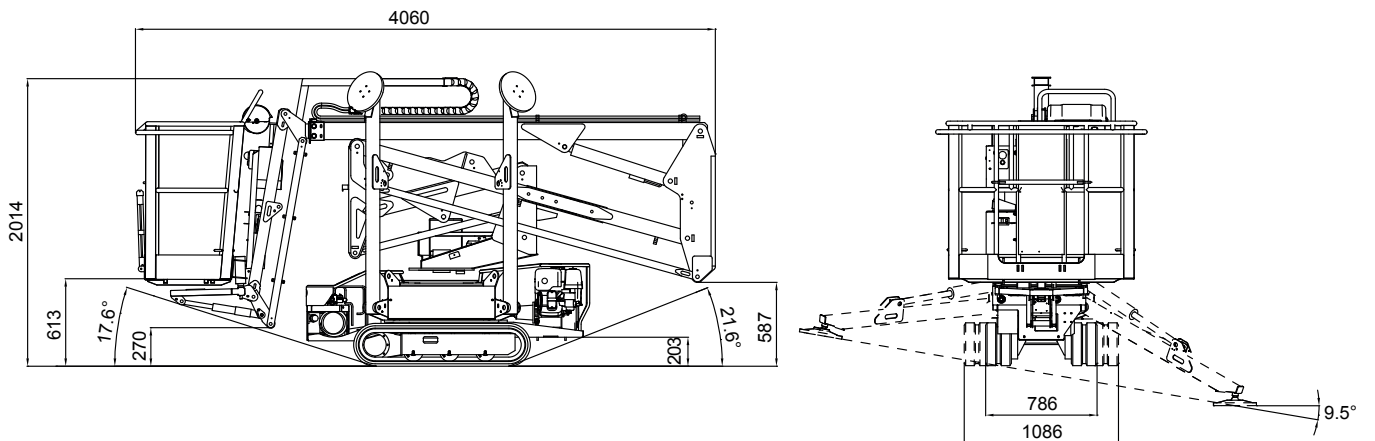
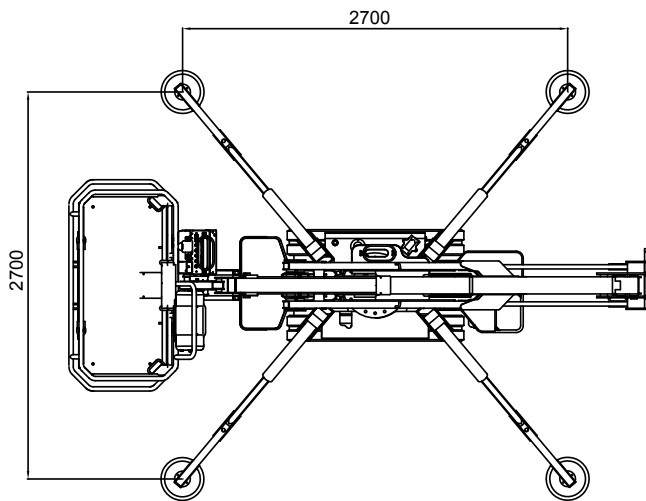
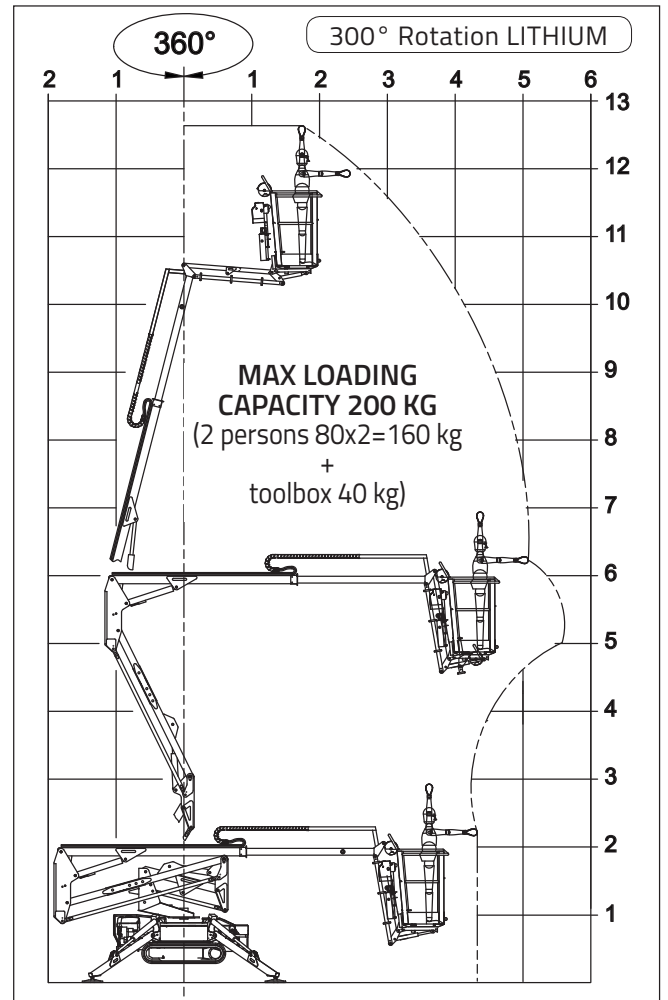
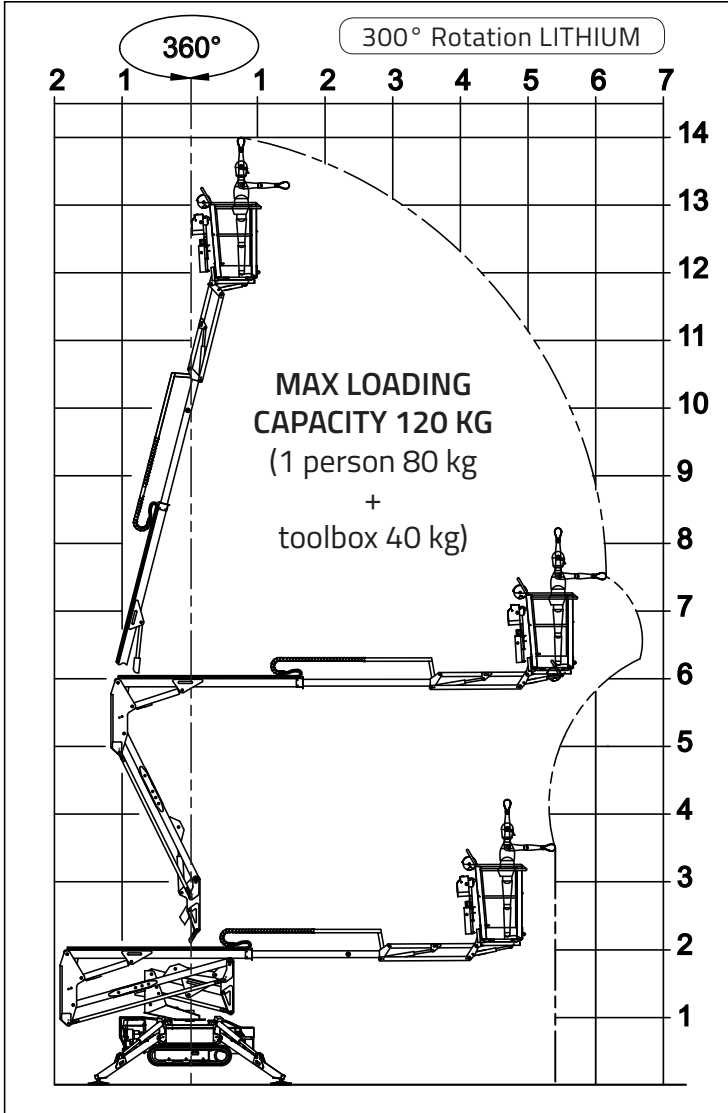


GOLDLIFT 14.70 MS



GOLDLIFT 14.70 III S



GOLDLIFT 14.70 III S

PETROL ENGINE

Brand HONDA
 Type GX390
 Pistons no. and displacement single-cylinder 389 cm³
 Max gross power 11,7HP - 8,7 kW @ 3600 rpm
 Electrical start 12 volt

DIESEL ENGINE

Brand HATZ
 Type 1B40 - HD Autorev
 Pistons no. and displacement single-cylinder 462 cm³
 Max gross power 10 HP - 7,5 kW @ 3600 rpm
 Electrical start 12 volt

ELECTRIC MOTOR

Standard 230V / 50 Hz - 2,2 kW
 Optional 110V / 50 Hz - 2,2 kW

HYDRAULIC PUMPS

Pump diesel engine no. 2 gear pumps
 Pump electric motor no. 2 gear pumps

TRACKED UNDERCARRIAGE

Track tensioner grease-filled
 Rollers no. per side 3 + slide
 Widening system 786 / 1086 mm
 Translation speed 1,4 km/h
 Second translation speed (optional) 1,4 - 2,8 km/h

WEIGHT MACHINE (Petrol / Diesel engine) 1700 kg
 MAX UPPER SLANT 15° / 26,8 %
 MAX WIND SPEED 12,5 m/s

GOLDLIFT 14.70 III S



ELECTRIC SYSTEM - LITHIUM ION

| | |
|--|------------------|
| Electric system voltage | 48V-12V |
| Lithium battery pack | 4,8 kWh |
| Autonomy (continuous cycle)* | 4-5 h |
| Onboard battery charger | 220V 50Hz |
| Optional battery charger | 110V 50Hz |
| Recharge time on flat batteries | 4 h (indicative) |
| Recharge time to 80% on flat batteries | 2 h (indicative) |

HYDRAULIC PUMPS

| | |
|----------------------|-----------------|
| Electric motor | no.2 gear pumps |
|----------------------|-----------------|

TRACKED UNDERCARRIAGE

| | |
|---|----------------|
| Track tensioner | grease-filled |
| Rollers no. per side..... | 3 + slide |
| Widening system..... | 786 / 1086 mm |
| Translation speed | 1,2 km/h |
| Second translation speed (optional) | 1,2 - 2,4 km/h |

| | |
|-----------------------|--------------|
| WEIGHT MACHINE | 1810 kg |
| MAX UPPER SLANT | 15° / 26,8 % |
| MAX WIND SPEED | 12,5 m/s |

* (Autonomy measured with Hinowa H2 operating cycle)